

IP Keyboard & Video Matrix



Description:

The CVI5000 is an IP Joystick Keyboard capable of decoding, configuring and controlling Onvif compliant IP cameras. It is also compatible with the CVIxx Series IP Video Wall Matrix controllers.

The CVI5000 keyboard is equipped with a large HD-Color LCD Screen, displaying live video from configured IP cameras as well as various setup and control functions. Using the 3D joystick you can control various Onvif compliant PTZ positioners or PTZ dome cameras.

The CVI5000 is also equipped with an HDMI output used to connect an external HD monitor which can be configured to display up to 25 cameras (5x5) simultaneously.

The operation of the CVI5000 IP keyboard is simple allowing the user to control with ease, functions such as calling up a camera to the on-board LCD screen or to a particular window on the external monitor

Features:

- Large Function Keys allow direct camera control
- It can address and control multiple sites
- Connects directly to a LAN switch
- Powered by 12VDC Power supply
- Field programmable and upgradeable
- Control Video-Splitting functions for up to 5x5 maximum windows
- Support for setting and recalling preset positions for enrolled Positioners or Speed Dome cameras

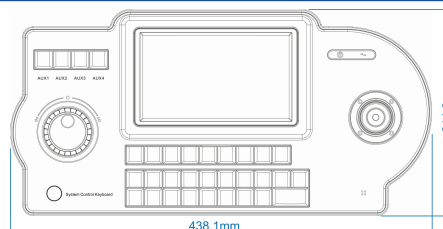
CVI5000 Specifications

Model	Video Inputs	Protocolg Supported
CVI5000	4K, 1080P, 1080I, 720P, D1	ONVIF, RTSP

Power	
Power Supply	12VDC, 25W
Interface Parameter	
HDMI Output	1 CH + 7" On Board LCD Screen
Ethernet	100Mb / 1000Mbps/RJ45
Joystick , Keyboard	4DPTZ/Snapshot+32 Control Keys
USB2.0	Support
RS232	Support
Video Parameter	
Network Video Decoding	H264, MPEG4 <250ms
Network Video Input	4K, 1080P, 1080I, 720P, D1
LCD 1280x720 HDMI 1920x1080	4ch x 4K or 16ch 1920x1080P@60Hz or 32ch x D1@60Hz
Video Decode & Display	IP cameras, Onvif Compliant
Monitor Splitting & Display	Support 4/9/16/25 splitting & display On external Monitor
OSD	Support titles overlaying, Maximum 32 characters per title
Audio Parameter	
Audio Codec	G.711,ADPCM Audio encode/decode
Intercom	3.5mm Stereo Jack (2.0Vp-p, 1KQ)
Audio Input	3.5mm Stereo jack (linear output level 600 Ohm)

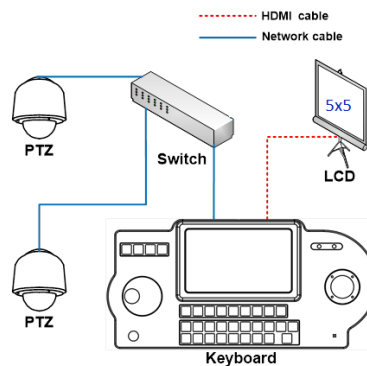
General Information	
Approvals	FCC, CE, RoHs
Humidity	10% ~ 90%
Temperature	-0°C ~ 55°C (-32°F ~ 131°F)
Dimensions (Ø x H)	8.45" x 117.25" x 2.05" (214.3mm x 438.1mm x 50mm)
Weight	3.75 l3.75 lbs. (1.75 Kgr)

Dimensions



Example System Topological Diagram

Standalone Configuration



COSTAR
VIDEO SYSTEMS

101 Wrangler, Suite 201 • Coppell, Texas 75019 • Phone: 469-635-6800 • Fax: 469-635-6822 • Toll Free: 1-888-694-STAR (7827)

www.costarvideo.com

Specifications and design are subject to change without notice. Conversions: 1" = 25.4mm. Measurement conversions are approximate.

Rev. 05/19/17