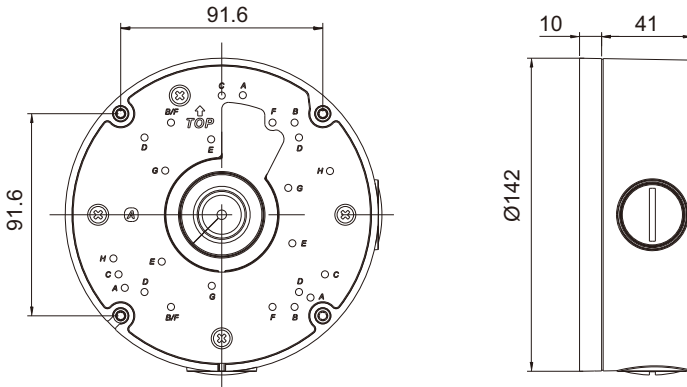


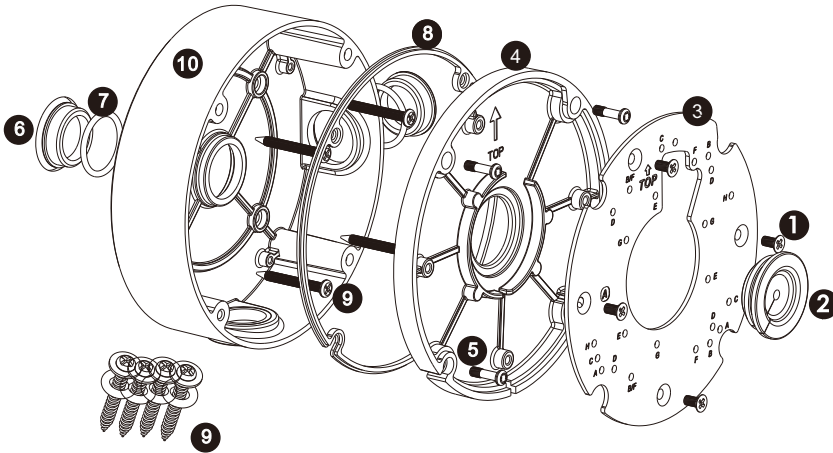
Multi- function Junction Box

CDJBS11

MEASUREMENTS (Unit: mm)

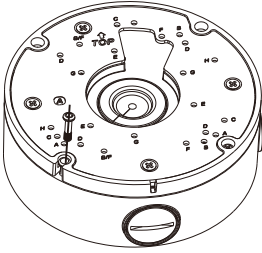


PRODUCT BREAKDOWN



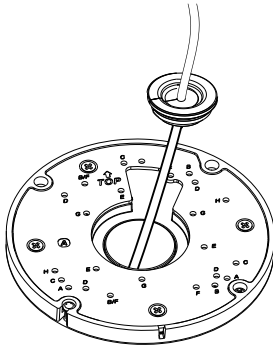
- | | |
|---|--|
| 1 Fixing Screws
(Supplied 3pcs) | 6 Conduit Seal Caps 3/4"-14 NPS
(Supplied installed) |
| 2 Silicon Plugs
(Supplied 3pcs) | 7 Conduit Seal Cap water proof ring |
| 3 Upper Cover Plate | 8 Water proof ring |
| 4 Upper Cover | 9 Self-tapping Screws
(Supplied 4pcs) |
| 5 Hingle Screws
(Supplied 4pcs) | 10 Base |

INSTALLATION GUIDE



A

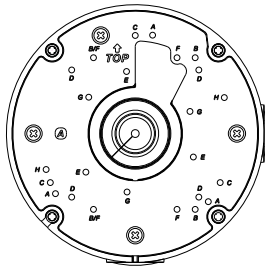
- Loosen screws **5**, remove upper cover.
- If using side conduit ensure **6** cap is fitted to rear of base to make water tight.
- Attach base to surface using the four **9** screws supplied. Be sure the rubber washer is attached to assure waterproof attachment.



B

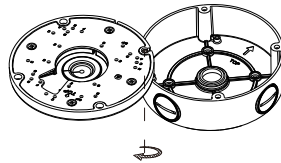
- Fetch a matched silicon plug from the accessory package, plug the multi-head cable of the camera into the silicon plug. then plug them into the upper cover.
- Attach camera to front of upper cover plate. Select screw holes match the different model type. All cameras fit centre of the junction box when correctly installed.

Note: The gap of the plate is always to face north, do not try use incorrect fitting screws which break the plate as will void the weather proof on the product.



C

- Attach cables for camera and locate inside the junction box.



- Attach cover plate to base using screws **5**, be sure the screws are tight.

Note: Different alphabets match different models.

A: CDI2112SV, CDI5112VIR,
CDT2S12VI, CDT2S12VIFW,
CDT2S12IFW

D: CDI4512VTIR, CTT2S12VIFW

E: CDI4512IR, CBI5112IR,
CBT2S12IFW

F: CBI2112XIR, CBI4512XIR