

2 Megapixel Network Indoor Dome Camera



Description:

The CDI2510FW DirectNET Dome camera provides high quality video at 2 megapixel resolution. The Remote Focus feature allows installers to control the zoom and focus directly from the network video recorders (NVRs) or remotely through StarNET. The advanced H.265 codec allows for smaller recording file sizes and lower transmission bandwidth on your network.

Costar's DirectNET cameras have true plug-and-play capability with the XDi 20 Series recorders and are compatible with StarNET Video Management Software (VMS). StarNET is the remote access software that allows users to remotely view live and recorded video. StarNET incorporates features such as advanced event notification, map monitoring, system status monitoring and many more. Costar's DirectNET cameras are ONVIF supported. ONVIF is an industry standard that ensures interoperability between IP-based security products regardless of brand.

Features:

- Max. resolution 2 MP (1920 x 1080)
- 1/3" CMOS Progressive Scan image sensor
- True day / night with IR cut filter
- DirectNET protocol; iNEX™ protocol selectable
- Micro SD memory card supported
- Back Light Compensation (BLC)
- Digital Noise Reduction (DNR)
- True Wide Dynamic Range (TWDR)
- Multiple compression (H.265, H.264, MJPEG)
- Power over Ethernet (PoE) or 12VDC

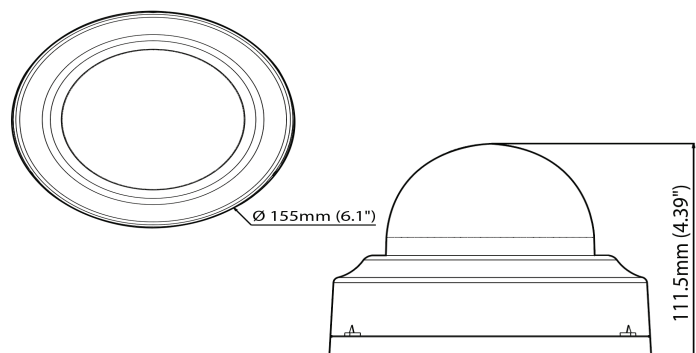
CDI2510FW Specifications

Model	Lens	Resolution
CDI2510FW	3.3-10mm	2 Megapixel (1920 x 1080)

Power	
Source	12VDC or PoE
PoE	IEEE 802.3af Class 2
Consumption	6 Watts
Sensor	
Image Sensor	1/3" CMOS
Scanning Mode	Progressive Scan
Resolution	1920 x 1080
Lens Type	Motorized Vari-focal
Lens Focal Length	f=3.3 - 10mm
Aperture	F1.3 - 2.5
Iris Control	P-Iris
IR LEDs	--
IR Range	--
Minimum Illumination	0.01 Lux @ F1.3 (Color) 0.005 Lux @ F1.3 (BW)
S/N Ratio	More than 45dB
Dynamic Range	120dB (True WDR)
Electronic Shutter	Auto / Manual: 1/30 ~ 1/10000 Anti-Flicker Slow Shutter: 1~1/5, 1/7.5, 1/15
Viewing Angle	Wide : 95.7°(H), 50.6°(V), 114.4°(D) Tele : 31.8°(H), 17.9°(V), 36.5°(D)
CVBS Video Output	1 BNC
Camera Functions	
Alarm In/Out	Input 1 ea / Output 1 ea
Audio In/Out	Line-in 1ea / Line-out 1 ea
Auto Exposure	Yes
Auto White Balance	Yes
Back Light Compensation	On / Off / HSBLC
Day / Night	IR Cut Filter with Auto Switch
Digital Noise Reduction	Configurable 2DNR / 3DNR
Event Buffering	Up to 60MB
Event Notification	Remote S/W, Email (with image)
Event Trigger	Motion Detection, Tampering, Trip Zone
Motion Detection	Motion Adaptive Transmission (MAT)
Privacy Masking	8 Zones

Network		
	DirectNET Mode	iNEX™ Mode
Video Compression	H.265, H.264(MP), M-JPEG	
Intelligent Codec	Supported	
Video Resolution	1920 x 1080, 1280 x 720 704 x 480, 640 x 360 352 x 240	1920 x 1080, 1280 x 720 704 x 480, 640 x 360 352 x 240
Max Frame Rate	30ips:1920 x 1080 (WDR)	60ips:1920 x 1080 30ips:1920 x 1080 (WDR)
Bitrate	Up to 18Mbps	
Bitrate Control	Constant Bitrate / Variable Bitrate	
Edge Storage	micro SD/ SDHC /SDXC (128GB)	
Streaming Video	Quadruple	
Camera Protocol	DirectNET	iNEX, ONVIF Profile S (2.4)
Security	SSL Encryption	Multi-user Authority, HTTPS SSL Encryption, IP Filtering
Remote Access Client	DirectNET NVR Connection	StarNET, iNEX VMS, StarNET Mobile
Network Protocols	DirectNET	RTP/RTSP/TCP, RTP/RTSP/HTTP/TCP, RTP/UDP RTSP/TCP, HTTP, HTTPS, FTP, SNTp SMTP, FEN, mDNS, uPNP

General Information	
Heater	--
Vandal Proof Rating	--
Approvals	FCC, CE, KC
Humidity	0% ~ 90%
Temperature	-14°F ~ +122°F (-10°C ~ +50°C)
Dimensions (Ø x H)	6.11" x 4.39" (155mm x 111.5mm)
Weight	1.98lbs (0.9 kg)
Dimensions	



COSTAR
VIDEO SYSTEMS

101 Wrangler, Suite 201 • Coppell, Texas 75019 • Phone: 469-635-6800 • Fax: 469-635-6822 • Toll Free: 1-888-694-STAR (7827)

www.costarvideo.com

Specifications and design are subject to change without notice. Conversions: 1" = 25.4mm. Measurement conversions are approximate.

Rev. 02/14/18
v1.1