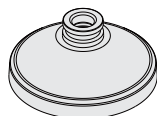


# INSTALLATION MANUAL



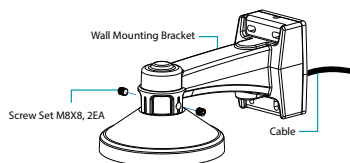
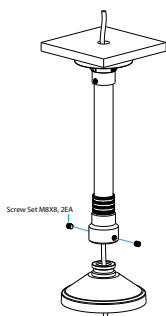
This manual is intended for users of the CDMWMA mounting bracket. It includes instructions for mounting CDMPMD13 or CDMWMD13.



- **This bracket is intended to be used with a specific model of camera. Do not use it with other models of cameras except for those approved by the dealer or distributor.**
- **This installation should be performed by a qualified service personnel in conformance to all local codes.**
- **You may need to reinforce the ceiling. If the ceiling is not strong enough to support the camera, the camera may fall.**
- **Do not use this product for other purposes.**

## Mounting

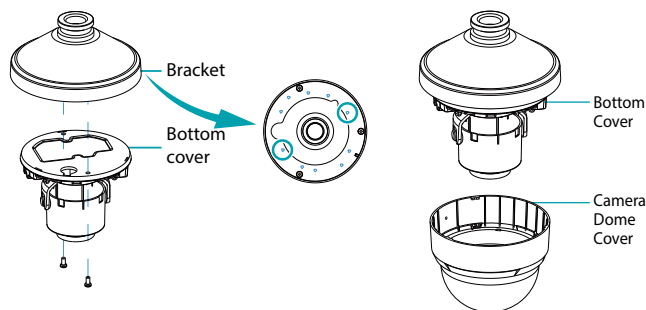
**Mount the bracket to the ceiling pipe CDMPMD13 or wall mounting bracket CDMWMD13 as follows:**



- 1 Insert cables from external devices, network and power adapter into bracket.
- 2 Assemble bracket into the ceiling pipe or wall mounting bracket and fix it by using the screws. The ceiling pipe and wall mounting bracket are sold separately.

**Connect your camera CDI55360IW to the bracket as follows:**

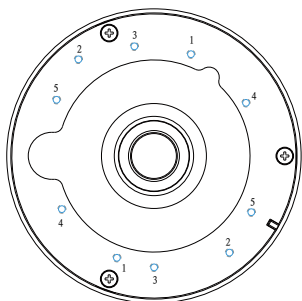
- 3 Screw the bottom cover onto bracket and then screw the camera dome cover onto the bottom cover.



4 Turn on power.

**Connect your specific model of camera to the bracket as follows:**

Screw No.1 (2-point): CDI55360IW using screw A



<Screw type>

A

B



## Dimension

Unit: inch

