

# Costar

CBC3600L  
CBC3600LIR  
CBC3600LFIR

## 600 TVL Day/Night Infrared Mini Outdoor EnviroCam



CBC3600L



CBC3600LIR



CBC3600LFIR

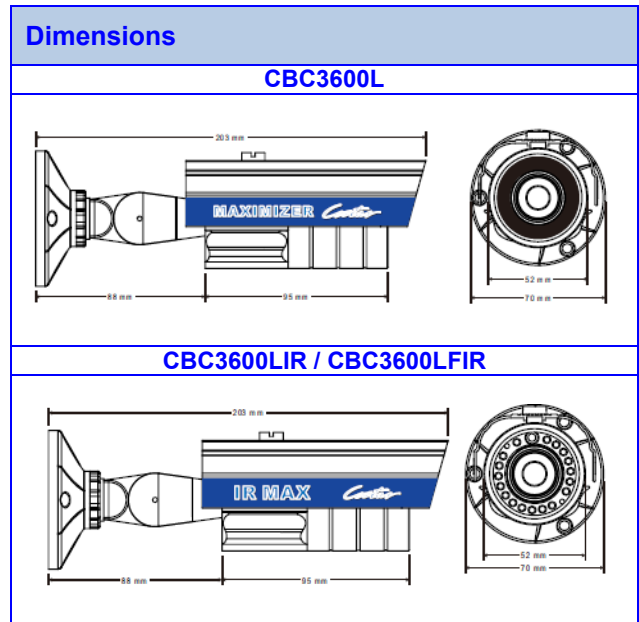
- Super high 600 TV Lines of resolution
- CBC3600L & CBC3600LIR equipped with a 4-9 mm lens
- CBC3600LFIR is equipped with a 3.6 mm lens
- True Day/Night with IR cut filter (CBC3600L is only Day/Night)
- Image sensor: 1/3" Sony Super HAD
- BLC (Back Light Compensation)
- Motion detection
- CBC3600LIR is equipped with 18 IR LEDs with a 45 foot (14M) range
- CBC3600LFIR is equipped with 24 IR LEDs with a 60 foot (18M) range
- Split glass technology eliminates IR reflections
- Weatherproof IP66
- Power requirements: DC12V



*Costar*  
VIDEO SYSTEMS

Model	Lens (mm)	Resolution
CBC3600L	4-9 mm	600 TVL
CBC3600LIR	4-9 mm	600 TVL
CBC3600LFIR	3.6 mm	600 TVL

Power	
Power Source	DC12V
Power Consumption	60 mA (CBC3600L) 180 mA (CBC3600LIR) 280 mA (CBC3600LFIR)
Sensor and General Information	
Image Sensor	1/3" Sony Super HAD II
Lens	4-9 mm DC Iris 3.6 mm DC Iris
Minimum Illumination	0.00 Lux
Total Pixels	768 H x 494 V
Horizontal Resolution	600 TVL
IR LEDs – CBC3600LIR	14 IR LEDs 45 foot range
IR LEDs – CBC3600LFIR	24 IR LEDs 60 foot range
S/N Ratio	More than 52dB (AGC Off)
Video Output	Composite Video 1.0Vp-p/75Ω
Camera Functions	
On Screen Display	Built-in
Day/Night	Yes
DNR	Yes (2D)
D-WDR	Yes
BLC	Yes
AGC	Yes
Motion Detection	Yes
Mirror	Yes
OSD Control	Yes (not CBC3600LFIR)
Privacy Zones	Yes
General Operating	
Operating Temperature	14°F to 122°F -10°C to 50°C
Operating Humidity	95% RH Max
Weight	
CBC3600L	0.88 lbs. (0.40 Kg)
CBC3600LIR	0.93 lbs. (0.42 Kg)
CBC3600LFIR	0.82 lbs. (0.37 Kg)
Dimensions	
CBC3600L	7.99" x Ø2.76" (203 x 70 mm)
CBC3600LIR	7.24" x Ø2.76" (184 x 70 mm)



  
**VIDEO SYSTEMS**

101 Wrangler, Suite 201 • Coppell, Texas 75019 • Phone: 469-635-6800 • Fax: 469-635-6822 • Toll Free: 1-888-694-STAR (7827)

[www.costarvideo.com](http://www.costarvideo.com)

Specifications and design are subject to change without notice. Conversions: 1" = 25.4mm Measurement conversions are approximate.