

**2 Megapixel Network
Indoor / Outdoor Dome Camera****Description:**

The CDI2112SV indoor / outdoor dome camera provides high quality video at 2 megapixel resolution. The IP66 weatherproof rating makes this dome camera suitable for indoor / outdoor applications such as gas stations, retail parking lots and many others.

Costar Video's IP cameras are compatible with the StarNET Video Management Software. The StarNET user interface incorporates features such as simplified user management, advanced camera mapping and logical camera grouping making it easier to monitor and access each of your cameras. The StarNET user interface can integrate both analog and IP camera technology on the same platform allowing you to have a diverse surveillance system. Costar's IP cameras are ONVIF supported. ONVIF is an industry standard that ensures interoperability between IP-based security products regardless of brand.

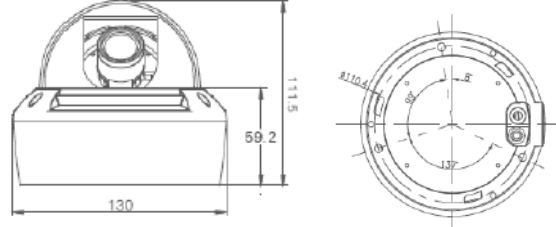
Features:

- 2 megapixel resolution (1080p)
- 2.8 - 12 mm vari-focal DC auto iris lens
- 1/2.9" Progressive Scan image sensor
- True day/night with IR cut filter
- ONVIF supported; iNEX compatible
- SD memory card supported
- Wide Dynamic Range (D-WDR)
- Digital Noise Reduction (3DNR)
- Multiple compression (H.264 / MJPEG)
- Dual IP streaming
- Cross web-browsing
- Dynamic adjustment bit rate
- IP66 weatherproof rated
- IK10 vandal resistant housing
- Power over Ethernet (PoE) or 12VDC

CDI2112SV Specifications

Model	Lens (mm)	Resolution
CDI2112SV	2.8 - 12 mm	2 Megapixel

Power	
Source	12VDC or PoE
PoE	802.3af
Consumption	5 Watt max
Sensor	
Image Sensor	1/2.9" Progressive Scan
Lens	2.8 - 12 mm Auto Iris Vari-focal IR Corrected
Minimum Illumination	0.05 Lux (AGC On) 0.01 Lux (B&W)
Resolution	1920 x 1080
Frame Rate	Up to 30 fps
Field of View	89°~35°
Shutter Speed	1/5 – 1/20,000
Video Features	
Video Output	1 x RJ45 (IP) 1 x BNC (Analog)
Video Compression	H.264, MJPEG
Streaming	Multi Stream
Standards	ONVIF v2.2, Profile S
Bit Rate	H.264, BCR/VBR Stream1; 50Kbps-12Mbps Stream2; 10Kbps-6Mbps
Audio Compression	G.711, RAW_PCM
External Storage	Micro SD Card (Class 6 or higher, 32GB)
Camera Functions	
Alarm	Yes; 1 In/ 1 Out
Alarm Triggers	Motion Detection, Network Disconnect, Disk Alarm
Audio	Yes; 1 In/ 1 Out
Back Light Compensation	Yes
Day/Night	Yes; ICR
Digital Noise Reduction	Yes; 3DNR
Masking	Yes; 5 user defined areas < 8% of total picture
Motion Detection	Yes
Regions Of Interest	Yes
Wide Dynamic Range	Yes; D-WDR

Network	
Ethernet	1 (10/100 Base-T) RJ-45 Connector
TCP/IP	IPv4 / IPv6 (DHCP/Fixed)
Supported Protocols	HTTP, TCP/IP, UDP/IP, RTSP, FTP, DHCP, NTP, PPoE, Unicast and Multicast supported
General Information	
Temperature	-13°F to 131°F (-25°C to 55°C)
Humidity	90% RH Max
Approvals	IP66, IK10, UL, FCC, CE
Dimensions	5.1" x 4.4" (130 x 112 mm)
Weight	2.0 lbs. (900 g)
Dimensions	
	
Accessories	
CDTRS	Trim Ring
CDMPMS10	Pendant Mount
CDMWMS10	Indoor / Outdoor Wall Mount
CDI2112SVK	Kit Includes: CDI2112SV CDTRS
CDI2112SVKP	Kit Includes: CDI2112SV CDTRS CP2112DC

COSTAR
VIDEO SYSTEMS

101 Wrangler, Suite 201 • Coppell, Texas 75019 • Phone: 469-635-6800 • Fax: 469-635-6822 • Toll Free: 1-888-694-STAR (7827)

www.costarvideo.com

Specifications and design are subject to change without notice. Conversions: 1" = 25.4mm Measurement conversions are approximate.