

Sensor Specifications

Model	CDI2H12IFW	
Lens	Motorized Smart Focus Varifocal 2.8~12mm, F1.6, P-Iris	
Angle of View	Wide	100°(H), 56° (V), 114° (D)
	Tele	33°(H), 18° (V), 37° (D)
Image Sensor	Type	1/2.8" SONY STARVIS™ CMOS Sensor
	Pixels	1945(H)x1109(V)
Min. Illumination	Color : 0.1Lux@F1.6 / BW : 0Lux@F1.6	
Scanning Mode	Progressive Scan	
Wide Dynamic Range	True WDR 120db	
Day and Night Mode	True D/N(Auto, Day, Night)	
Noise Reduction	2DNR, 3DNR	
Digital Zoom	Yes(ROI)	
Exposure Control	Auto	
White Balance Control	Auto, Incandescent, Fluorescent, Outdoor, Manual	
Image Effect	Flip, Mirror, Defog	
Flicker Free Mode	50Hz, 60Hz	
Shutter Speed	Auto(1/10,000~1sec), Manual	
IR Illuminator	Quantity	28 IR LEDs
	Distance	Up to 82ft

Network

Compression	H.264/H.265(Baseline, Main, High Profile), MJPEG	
Bitrate Control	CBR, CVBR (Max Bitrate: 10Mbps)	
Resolution	1920x1080, 1280x1024, 1280x720/960, 1024x768, 704x480/576, 640x480, 320x240	
Frame Rate	Max. 30fps	
Streaming	Quad Stream : H.264/H.265x3, MJPEGx1	
Protocol	TCP/IP, UDP, IPv4/v6, HTTP, HTTPS, QoS, FTP, UPnP, RTP, RTSP, RTCP, DHCP, ARP, Zeroconf, Bonjour	
Client Software	Web, SmartManager, Client S/W, Mobile S/W	
Max. User Connection	Live : 10 Users, Playback : 3 Users	
Camera Protocol	Onvif S and T	
Mobile Support	Android, iOS	
Security	Multi User Authority, IP Filtering, HTTPS, SSL	
Network Time Sync	NTP Server, Synchronized Computer, Manual	
Software Reset	Restart, Reset, Factory Default	
Remote Upgrade	Web Browsing(IE, Chrome, Safari, Firefox), SmartManager	
Ethernet	RJ-45(10/100Base-T)	
Micro SD Type	SDHC, SDXC, (Class 10, 128GB Max)	

System

Video Contents Analytics	Tampering, Motion Detection, Intrusion Detector	
Motion Detection Area	16 Programmable Area(Include Area 8, Exclude Area 8)	
Privacy Mask Zone	8 Programmable Zone	
FTP Uploading	MJPEG	
Event Notification	E-mail, FTP, Notification Server, XML Notification, Audio Alert	
Audio Alert	User Defined 3 Audio File	
Login Authority	Administrator, Operator, Guest	
Event Buffering	FTP	Pre : 30sec, Post : 30sec
	SD Record	Pre : 10sec, Post : 60sec
Manual Trigger	4 Programmable Trigger	
Composite Out	Yes / 3pin connector	
Audio Compression	G.711	
Audio Streaming	2 Way	
Audio	1 Input, 1 Output(Terminal Block)	
Alarm	1 Input, 1 Output(Terminal Block)	
Micro SD Recording Mode	Event, Continuous	
Cable Harness	RJ-45, 12VDC, Alarm in/out, Audio in/out	

General Information

Operating Humidity	0~90% RH(Non-Condensing)	
Operating Temperature	14°F ~ 122°F (-10°~+50°C)	
Power Source	PoE(IEEE802.3af Compliance, Class0)/12VDC	
Power Consumption	190mA(8.2W)@PoE ~ 680mA(7.4W)@12VDC	
Dimension	5.12"(Ø)x3.70"(H)in	
Net Weight	0.88lbs	
Approvals	FCC, CE, KC	

Specification are subject to change without notice.



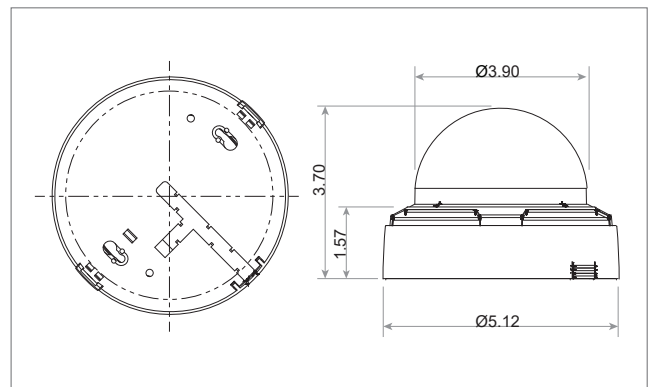
Features

- 2 Mega Pixel Resolution
- Smart Codec
- Intelligent Video Motion Detection, Intrusion Detector
- Quad Stream(H.264/H.265, MJPEG)
- Onvif Profile S and T
- Easy Install : Zero Configuration, Discovery, PoE
- Multi User Authority, IP Filtering, HTTPS, SSL
- Cross Web Browsing(IE, Safari, Firefox, Chrome)

Software

- SmartManager
- Central Point VMS
- Central Point Mobile Android™ iOS™

Dimensions



Mounts

