

**2 Mega Pixel Network  
Stainless Steel 20x PTZ Camera****Description:**

The CDI2H20WPZX Stainless Steel camera provides high quality video at 2 megapixel resolution. The SUS316L Electro-polished stainless steel-powder coated (white) housing is IP67 rated to withstand the harshest Environments.

Costar's Stainless-Steel cameras are ONVIF supported. ONVIF is an industry standard that ensures interoperability between IP-based security products regardless of brand.

**Features:**

- Max. resolution 2 MP (1920 x 1080)
- 20x Optical Zoom 16x Digital Zoom
- 1/2.8" Sony Starvis™ CMOS image sensor
- True day / night with IR cut filter
- True WDR (120db)
- OnVIF protocol
- Back Light Compensation (BLC)
- Digital Noise Reduction (3DNR)
- H.264, MJPEG
- IP67 weatherproof rated
- Power over Ethernet (PoE) or 12VDC, 24VAC

# CDI2H20WPZX Specifications

Model	Lens	Resolution
CDI2H20WPZX	20X Optical	2 Megapixel (1920 x 1080)

Power	
Source	12VDC, 24VAC or PoE
PoE	IEEE 802.3af Class 0
Consumption	5.7W@12VDC, 22W@24VAC, 5.7W@PoE

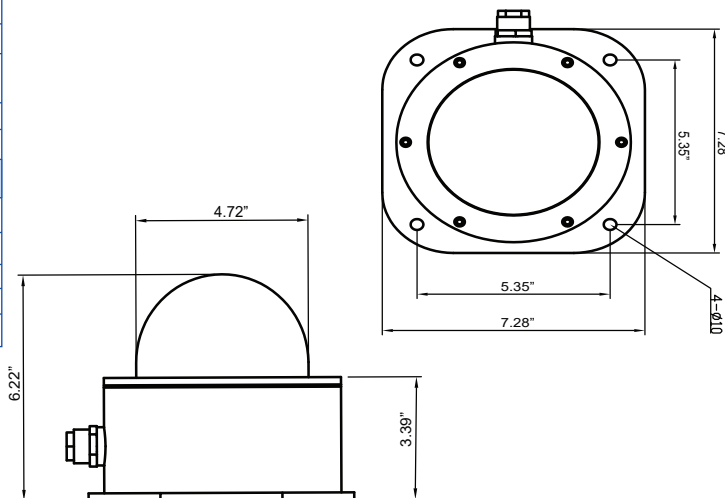
Sensor	
Image Sensor	1/2.8" Sony Starvis™ Sensor
Scanning Mode	Progressive Scan
Resolution	1920x1080
Lens Type	Optical Zoom 20X
Lens Focal Length	4.7-94mm
Aperture	F2.5
Iris Control	Auto
Shutter Speed	30fps : Auto (1/30,000~x8sec) Manual 60fps : Auto (1/50,000~x8sec) Manual
Minimum Illumination	0.35 Lux @ F2.5 (Color) 0.013 Lux @ F2.5 (BW)
S/N Ratio	More than 45dB
Dynamic Range	True WDR (120db)
Electronic Shutter	Auto 1/10,000~1sec, Manual Anti-Flicker 60Hz
Viewing Angle	55.5~3°(H)
CVBS Video Output	---

Camera Functions	
Alarm In/Out	Input 4 ea / Output 1 ea
Audio In/Out	Line-in 1ea / Line-out 1 ea
Auto Exposure	Yes
Auto White Balance	Yes
Back Light Compensation	Yes
Day / Night	IR Cut Filter with Auto Switch
Digital Noise Reduction	3DNR
Event Buffering	Up to 60MB
Event Notification	Email, FTP
Event Trigger	Motion Detection, Tampering, Line Detector, Field Detector, Face Detector, Defog, DIS
Motion Detection	Motion Detection 8 include area
Privacy Masking	8 Zones

PTZ Functions	
Pan Range / Pan Speed	360°Endless / Max. 380° / sec. (Preset)
Tilt Range / Tilt Speed	-10~190° / Max.380° / sec. (preset)
Auto Calibration / Preset	0.1~6° / 256
Tour / Pattern	8
Home Function	Yes

Network	
	<b>OnVIF Mode</b>
Video Compression	h.264, M-JPEG
Video Resolution	1920 x 1080, 1280 x 1024, 1280 x 960, 704 x 480, 640 x 480, 320 x 240
Max Frame Rate	60fps:1920 x 1080
Bitrate	Up to 18Mbps
Bitrate Control	Constant Bitrate / Variable Bitrate
Edge Storage	---
Streaming Video	Triple Stream: H.264 x2, MJPEG x1 ( 30fps )
Camera Protocol	ONVIF Profile S (2.4)
Security	Multi-user Authority, HTTPS SSL Encryption, IP Filtering
Remote Access Client	StarNET, iNEX VMS, StarNET Mobile (Via XDI, iNEX)
Network Protocols	RTP/RTSP/TCP, RTP/RTSP/HTTP/TCP, RTP/UDP RTSP/TCP, HTTP, HTTPS, FTP, Zeroconf, Bonjour, ARP, mDNS, uPNP

General Information	
Vandal Proof Rating	IP67
Approvals	FCC, CE, KC
Humidity	0% ~ 90%
Temperature	-22°F ~ +122°F (-30°C ~ +50°C)
Dimensions (Ø x H x D)	7.28"Ø x 6.22"H x 7.28"D
Weight	9.37lbs



**COSTAR**  
VIDEO SYSTEMS