

# 5MP 360 Indoor Fisheye Dome Camera

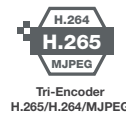
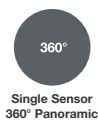
5 Megapixel (MP) H.265/H.264 All-in-One 360° Fixed Lens True Day/Night Indoor Fisheye Dome IP Camera with True Wide Dynamic Range (T-WDR), Digital Noise Reduction (DNR), and Backlight Compensation (BLC)



The CDI5D360W DirectNET Indoor Fisheye dome camera provides high quality, 360° video at 5MP resolution. The advanced H.265 codec allows for smaller recording file sizes and lower transmission bandwidth on your network. The CDI5D360W offers two-way audio with input/output connections and an integrated microphone.

Costar's DirectNET cameras have true plug-and-play capability with the StarNET XDi 20 and 25 Series, StarNET PRO recorders, and are compatible with

StarNET Video Management Software (VMS). StarNET is the remote access software that allows users to remotely view live and recorded video. StarNET incorporates features such as advanced event notification, map monitoring, system status monitoring and many more. Costar's DirectNET cameras are ONVIF supported. ONVIF is an industry standard that ensures interoperability between IP-based security products regardless of brand.



## Series Features

- 5MP (2560 x 2048) Resolution
- 1/1.8" CMOS Progressive Scan image sensor
- 1.5mm Fixed Fisheye Lens
- True day / night with IR cut filter
- DirectNET protocol
- MicroSDXC memory card supported
- Back Light Compensation (BLC)
- Digital Noise Reduction (DNR)
- True Wide Dynamic Range (T-WDR)
- Multiple compression (H.265, H.264, MJPEG)
- Power over Ethernet (PoE)
- Two-way audio with integrated microphone
- NDAA Compliant

## Camera Imaging Specifications

<b>Model</b>	<b>CDI5D360W</b>	
<b>Image Sensor</b>	Sony IMX334 CMOS Progressive Sensor	
<b>Optical Format</b>	1/1.8"	
<b>Minimum Illumination</b>	Color (Day Mode)	0.15 Lux @ F1.8
	B/W (Night Mode)	0.015 Lux @ F1.8
<b>Full FOV Resolution</b>	2560 H x 2048 V	
<b>Scaling</b> (See <i>Scaling Resolutions Below</i> )	Yes	
<b>Dynamic Range</b>	120dB (True WDR)	
<b>Frame Rates*</b>	Single Stream	Up to 30fps (5MP)
<b>Lens</b>	Fixed Iris	1.5mm, F1.8, H-FOV = 180°, V-FOV = 180°, D-FOV = 180°, IR Corrected

## Programmability

<b>Optics</b>	Fixed-focal
<b>S/N Ratio</b>	More than 45dB
<b>Noise Reduction</b>	3D Noise Reduction
<b>Electronic Shutter Speed</b>	Auto / Manual (1/30 ~ 1/10,000), Anti-Flicker, Slow Shutter (1/7.5, 1/15)
<b>Privacy Masking</b>	8 Zones
<b>Mirroring</b>	Horizontal / Vertical
<b>Backlight Compensation</b>	Off / On
<b>Scaling</b>	2592x1944, 640x512
<b>Wide Dynamic Range</b>	120dB True WDR
<b>Image Settings</b>	Exposure, White Balance, Self-Adjusting Video Mode (Sharpness, Contrast, Colors, Brightness Control), 3DNR Level, WDR Level
<b>Intelligent Video</b>	Video Motion Detection, Active Tampering Alarm, Trip Zone
<b>On-Screen Display (OSD)</b>	Date / Time / Custom Text

## Data Transmission

<b>Compression Type</b>	H.265, H.264 (MP), Motion JPEG
<b>Compression Level</b>	Basic, Standard, High, Very High
<b>Bit Rate Control</b>	Constant Bitrate / Variable Bitrate
<b>Recording Session Buffer (NLTSrec)</b>	Yes (Up to 60MB)
<b>Intelligent Codec</b>	Supported
<b>Motion Adaptive Transmission (MAT)</b>	Off / On
<b>Transmission Protocols</b>	DirectNET 2.0 Protocol, IPv4, IPv6, RTP/RTSP/TCP, RTP/RTSP/HTTP/TCP, RTP/UDP RTSP/TCP, HTTP, HTTPS, FTP, SMTP, FEN, mDNS, UPnP, SNMPv2
<b>Security</b>	SSL Encryption, Multi-user Authority, IEEE 802.1x, IP Filtering, HTTPS
<b>Network Interface</b>	10/100Base-T Ethernet network interface, RJ45
<b>Multi-Streaming</b>	Quadruple
<b>Remote Access Client</b>	DirectNET NVR Connection, StarNET Web, StarNET Mobile, StarNET PRO

## Event Management

<b>Event Trigger</b>	Motion Detection, Alarm in, Audio detection, Tampering, Trip Zone, Heatmap
<b>Notifications</b>	Remote S/W, Email (with Image)

## Compliance

<b>IP Camera Protocols</b>	DirectNET 2.0, ONVIF Profile S conformant
<b>Approvals</b>	FCC, CE, KC

## Environmental

<b>Operating Temperature</b>	14°F (-10°C) to + 122°F (50°C)
<b>Humidity</b>	0% to 90% RH
<b>Boot-Up Temperature</b>	32°F (0°C) to + 122°F (50°C)

## General Electrical

<b>Alarm Input/Output</b>	1 TTL input / 1 open collector output
<b>Power</b>	PoE IEEE 802.3af (Class 2)
<b>Power Consumption</b>	<b>PoE</b> 5.6W

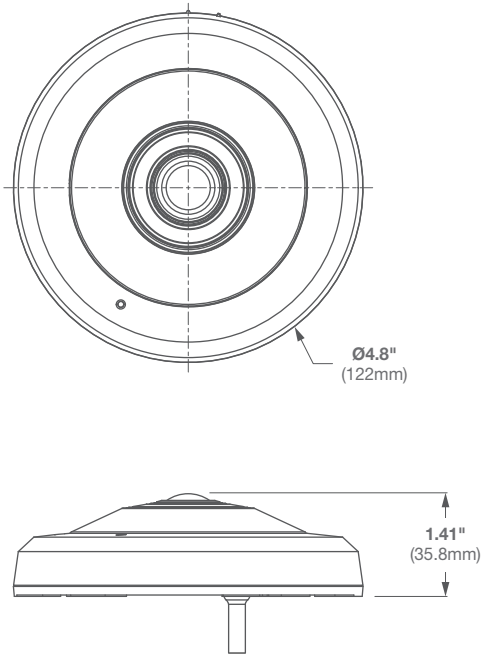
## Audio Electrical

<b>Streaming</b>	Two-way
<b>Compression</b>	ADPCM 16K, G.726, G.711 $\mu$ -Law, G.711 a-Law
<b>Input/Output</b>	Built-in microphone + Line in / Line output

## Mechanical

<b>Casing</b>	Plastic no bubble	
<b>Dimensions</b> <i>(See Dimensions)</i>	<b>Unit</b>	Ø 4.8" (122mm) x 1.41" H (35.8mm)
	<b>Weight</b>	0.61lbs (0.28kg)
<b>On Board Storage</b>	MicroSDXC slot up to 512GB (card not included)	

## Dimensions



## Model Numbers

<b>5MP</b>	CDI5D360W	<b>WDR</b>
------------	-----------	------------

## Accessories (Sold Separately)

<b>CDJBD15</b>	Junction Box
<b>CDMPMD13</b>	Pole Mount
<b>CDMWMD13</b>	Wall Mount