

5MP Outdoor IR Bullet Camera with Heater

5 Megapixel (MP) H.265/H.264 All-in-One Motorized Lens True Day/Night Indoor/Outdoor Bullet-Style IP Camera with True Wide Dynamic Range (T-WDR), Digital Noise Reduction (DNR), and Backlight Compensation (BLC)



The CBI5D13IFWH DirectNET Bullet camera provides high quality video at 5 megapixel resolution. The infrared LEDs provide illumination for clear image quality at night. The Remote Focus feature allows installers to control the zoom and focus directly from the network video recorders (NVRs) or remotely through StarNET. The advanced H.265 codec allows for smaller recording file sizes and lower transmission bandwidth on your network.

Costar's DirectNET cameras have true plug-and-play capability with the StarNET XDi 20 and 25 Series, StarNET PRO recorders, and are compatible with StarNET Video Management Software (VMS). StarNET is the remote access software that allows users to remotely view live and recorded video. StarNET incorporates features such as advanced event notification, map monitoring, system status monitoring and many more. Costar's DirectNET cameras are ONVIF supported. ONVIF is an industry standard that ensures interoperability between IP-based security products regardless of brand.



Integrated Motorized Lens with Remote Focus and Zoom



DC-Iris Control



IR LEDs



120dB True Wide Dynamic Range



True Day/Night with IR Cut Filter



Quadruple Streams



Tri-Encoder H.265/H.264/MJPEG



512GB Max Capacity MicroSDXC Card Slot



Audio Input and Output



Heater



Impact / Weather Resistant IK-10 and IP67 Rated

Series Features

- 5MP (2594 x 1944) Resolution
- 1/2.8" CMOS Progressive Scan image sensor
- 3-13.5mm Motorized Vari-focal Lens
- True day / night with IR cut filter
- 6 IR LEDs with a 98.4ft (30m) Range
- DirectNET protocol
- MicroSD memory card supported
- Back Light Compensation (BLC)
- Digital Noise Reduction (DNR)
- True Wide Dynamic Range (T-WDR)
- Multiple compression (H.265, H.264, MJPEG)
- IP67 weatherproof rated with heater
- IK10 vandal resistant housing
- Power over Ethernet (PoE) or 12VDC
- NDAA Compliant

Camera Imaging Specifications

Model	CBI5D13VIFWH	
Image Sensor	Sony IMX335 CMOS Progressive Sensor	
Optical Format	1/2.8"	
Minimum Illumination	Color (Day Mode)	0.15 Lux @ F1.4
	B/W (Night Mode)	0 Lux (IR LED On)
Full FOV Resolution	2592 H x 1944 V	
Scaling (See Scaling Resolutions Below)	Yes	
IR Illumination	Yes	
Dynamic Range	120dB (True WDR)	
Frame Rates*	Single Stream	Up to 30fps (5MP)
Lens	DC Iris	3-13.5mm, F1.4-F3.2, H-FOV = 31°-91°, V-FOV = 23°-66°, D-FOV = 38°-120°, IR Corrected

Programmability

Optics	Motorized Vari-focal
S/N Ratio	More than 45dB
Noise Reduction	3D Noise Reduction
Electronic Shutter Speed	Auto / Manual (1/30 ~ 1/10,000), Anti-Flicker, Slow Shutter (1/7.5, 1/15)
Privacy Masking	8 Zones
Mirroring / Pivot	Horizontal / Vertical / Pivot
Backlight Compensation	Off / On
Scaling	4:3: 2592x1944, 1920x1440, 1280x960x 640x480 16:9: 2592x1456, 1920x1080, 1280x720, 640x360
Wide Dynamic Range	120dB True WDR
Image Settings	Exposure, White Balance, Self-Adjusting Video Mode (Sharpness, Contrast, Colors, Brightness Control)
Intelligent Video	Video Motion Detection, Active Tampering Alarm, Trip Zone
On-Screen Display (OSD)	Date / Time / Custom Text

Data Transmission

Compression Type	H.265, H.264 (MP), Motion JPEG
Compression Level	Basic, Standard, High, Very High
Bit Rate Control	Constant Bitrate / Variable Bitrate
Recording Session Buffer (NLTSrec)	Yes (Up to 60MB)
Intelligent Codec	Supported
Motion Adaptive Transmission (MAT)	Off / On
Transmission Protocols	DirectNET 2.0 Protocol, IPv4, IPv6, RTP/RTSP/TCP, RTP/RTSP/HTTP/TCP, RTP/UDP RTSP/TCP, HTTP, HTTPS, FTP, SNTp, SMTp, FEN, mDNS, UPnP, SNMPv2
Security	SSL Encryption, Multi-user Authority, IEEE 802.1x, IP Filtering, HTTPS
Network Interface	10/100Base-T Ethernet network interface, RJ45
Multi-Streaming	Quadruple
Remote Access Client	DirectNET NVR Connection, StarNET Web, StarNET Mobile, StarNET PRO

Event Management

Event Trigger	Motion Detection, Alarm in, Audio detection, Tampering, Trip Zone
Notifications	Remote S/W, Email (with Image)

Compliance

IP Camera Protocols	DirectNET 2.0, ONVIF Profile S conformant
Approvals	FCC, CE, KC
Mechanical	IK-10, IP67

Environmental

Operating Temperature	-40°F (-40°C) to + 131°F (55°C)
Humidity	0% to 90% RH
Boot-Up Temperature	-4°F (-20°C) to + 131°F (55°C)
Heater	3.5W

General Electrical

Alarm Input/Output	1 TTL input / 1 open collector output	
Power	12VDC, PoE IEEE 802.3af (Class 3)	
Power Consumption	PoE	11W
	12VDC	13.2W

IR Illuminator

LEDs	6pcs
Projection Distance	98.4ft (30m) max

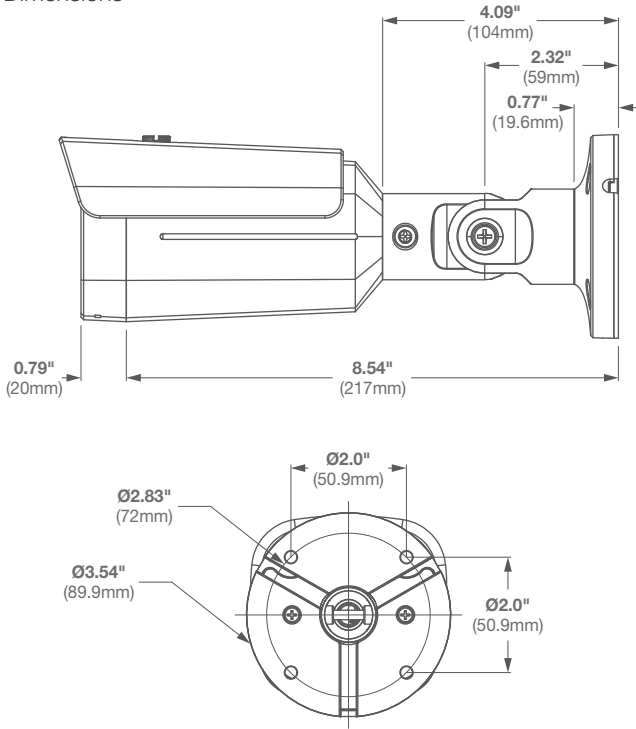
Audio Electrical

Streaming	Two-way
Compression	ADPCM 16K, G.726, G.711 μ-Law, G.711 a-Law
Input/Output	Line in / Line output

Mechanical

Casing	IP67 weather proof standard	
	Impact resistant, IK-10 rated	
Mount	Easily adjustable 3-axis	
Dimensions <i>(See Dimensions)</i>	Unit	2.95" H (75mm) x 3.14" W (80mm) x 9.33" D (237mm) [9.9" D (251.5mm) Max with Sun Shield]
	Weight	Unit
On Board Storage	MicroSDXC slot up to 512GB (card not included)	

Dimensions



Model Numbers

5MP	CBI5D13VIFWH	WDR
------------	--------------	-----

Accessories (Sold Separately)

CBJBD11	Junction Box
----------------	--------------