

2 Megapixel Outdoor IR TVI Turret



Description:

The CTT2S28VI outdoor turret camera provides high quality video at 2 megapixel resolution over existing coaxial cable. The infrared LEDs provide illumination for clear image quality at night. The IP66 weatherproof rating makes this dome camera suitable for outdoor applications. Costar's new line of HDTV cameras are compatible with the ET Series DVRs and StarNET Video Management Software. StarNET is the remote access software that allows users to remotely view live and recorded video. StarNET incorporates features such as advanced event notification, map monitoring, system status monitoring and many more.

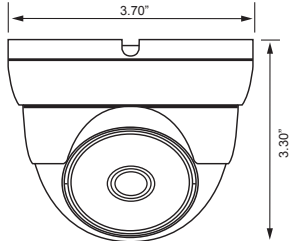
Features:

- 2 Megapixel Resolution
- 1/2.9" Sony CMOS Image Sensor
- 2.8mm Fixed Lens
- 18 IR LEDs with an 50 feet (15m) Range
- Digital Noise Reduction (DNR)
- Wide Dynamic Range (WDR)
- Up-the-Coax (UTC)
- Weatherproof IP66 Rated
- 12VDC

CTT2S28VI Specifications

Model	Lens	Resolution
CTT2S28VI	2.8 mm	2 Megapixel

Power	
Source	12VDC
Consumption	3.5 watts (292mA)
Sensor and General Information	
Image Sensor	1/2.9" Sony CMOS
Signal System	PAL/NTSC
Resolution (H x V)	1920x1080
Lens Focal Length	2.8mm
Iris Control	Auto Iris
Frame Rate	PAL:25fps ,NTSC:30fps
IR LED	18pcs
IR Wavelength	850nm
IR Range	50 Feet (15m) Range
Minimum Illumination	Color 0.01Lux(AGC ON); IR ON 0 Lux
Shutter Speed	PAL:1/50-1/50000, NTSC:1/60-1/60000
S/N Ratio	More than 50dB
Up the Coax	Pelco C, UTC (H)
Video Features	
Max Distance	985 Feet (100m)
Video Output	AHD/TVI/CVI/CVBS)
Camera Functions	
Day & Night	Yes, IR Cut Filter
Digital Noise Reduction	2D
Wide Dynamic Range	dWDR

General Information	
IP Rating	IP66
Humidity	85% RH Max
Temperature	14°F to 131°F (-10°C to 55°C)
Dimensions	3.70" x 3.30" (94 x 84mm)
Weight	0.793 lbs. (360g)
Approvals	FCC, CE
Dimensions	
	
Accessories	

COSTAR
VIDEO SYSTEMS

101 Wrangler, Suite 201 • Coppell, Texas 75019 • Phone: 469-635-6800 • Fax: 469-635-6822 • Toll Free: 1-888-694-STAR (7827)

www.costarvideo.com

Specifications and design are subject to change without notice. Conversions: 1" = 25.4mm. Measurement conversions are approximate.

Rev. 06/21/17