

**4 Megapixel Outdoor IR TVI
Dome Remote Focus Lens****Description:**

The CDT4S12VIFW outdoor dome camera provides high quality video at 4 megapixel resolution over existing coaxial cable. The infrared LEDs provide illumination for clear image quality at night. The IP66 weatherproof rating makes this dome camera suitable for outdoor applications. Costar's new line of HDTV cameras are compatible with the ET Series DVRs and StarNET Video Management Software. StarNET is the remote access software that allows users to remotely view live and recorded video. StarNET incorporates features such as advanced event notification, map monitoring, system status monitoring and many more.

Features:

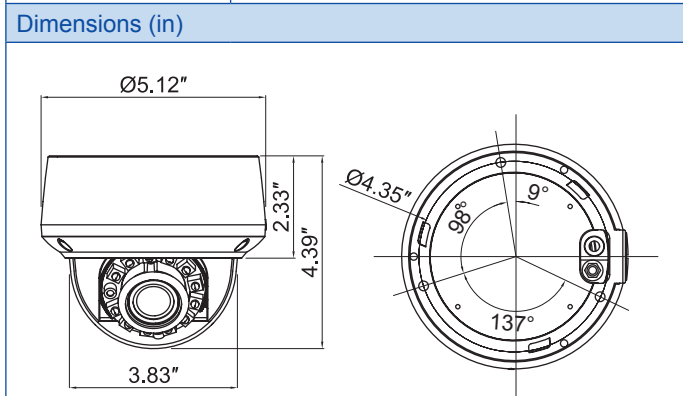
- 4 Megapixel Resolution
- 1/2.8" CMOS Image Sensor
- 2.8-12 mm Remote Focus and Zoom Lens
- 15 IR LEDs with a 98.4 feet (30 m) Range
- Back Light Compensation (BLC)
- Digital Noise Reduction (DNR)
- Wide Dynamic Range (WDR)
- Up-the-Coax (UTC)
- Weatherproof IP66 Rated
- Impact resistant IK10 Rated
- 12 VDC

CDT4S12VIFW Specifications

Model	Lens	Resolution
CDT4S12VIFW	2.8-12 mm	4 Megapixel

Power	
Source	12 VDC
Max Consumption	4.5 W
Sensor and Optics	
Image Sensor	1/2.8" Progressive Scan CMOS
Signal System	PAL/NTSC
Resolution	2560 x 1440
Frame Rate	PAL: 25 fps; NTSC: 30 fps
Minimum Illumination	Color: 0.05 Lux (F1.6, AGC ON); B/W: 0 Lux (IR LED ON)
S/N Ratio	More than 48 dB
Dynamic Range	120 dB (True WDR)
Electronic Shutter	Auto; PAL: 1/25-1/10000s; NTSC: 1/30-1/10000s
Lens Type	Motorized Vari-focal
Lens Focal Length	2.8-12 mm
Aperture	F1.6
Iris Control	Fixed Iris
IR LEDs	15 ea
IR Range	98.4 ft (30 m)
Viewing Angle	Wide : 100.8°~32° (H), 74°~24.5° (V)
Video Features	
Max Signal Distance	985 ft (300m)
Video Output	AHD/TVI/CVI/CVBS
Camera Functions	
On Screen Display	Yes
Auto Exposure	Yes
Auto White Balance	Yes
Back Light Compensation	On / Off
Mirroring	Yes
Day / Night	IR Cut Filter with Auto Switch
Digital Noise Reduction	2DNR

General Information	
Vandal Proof & Environmental Rating	IK10; IP66
Approvals	FCC, CE
Humidity	Less than 85% RH
Temperature	14°F ~ +131°F (-10°C ~ +55°C)
Dimensions (Ø x L)	5.12 x 4.41" (130 mm x 112 mm)
Weight	1.47 lbs (0.67 kg)



Accessories	
CDMWMS10	Wall Mount
CDMPMS10	Pendant Mount
CDMCSS10	Recessed Support Plate
CDJBS10	Junction Box

COSTAR
VIDEO SYSTEMS

101 Wrangler, Suite 201 • Coppell, Texas 75019 • Phone: 469-635-6800 • Fax: 469-635-6822 • Toll Free: 1-888-694-STAR (7827)

www.costarvideo.com

Specifications and design are subject to change without notice. Conversions: 1" = 25.4mm. Measurement conversions are approximate.

Rev. 10/22/21
v1