

2 Megapixel Indoor Box Camera HD Over Coax / HD-TVI



Description:

The CCT2U00 indoor box camera provides high quality video at 2 megapixel resolution over existing coaxial cable. Costar's new line of HD-TVI cameras are compatible with the ET Series DVRs and iRAS Video Management Software. iRAS is the remote access software that allows users to remotely view live and recorded video. iRAS incorporates features such as advanced event notification, map monitoring, system status monitoring and many more.

Features:

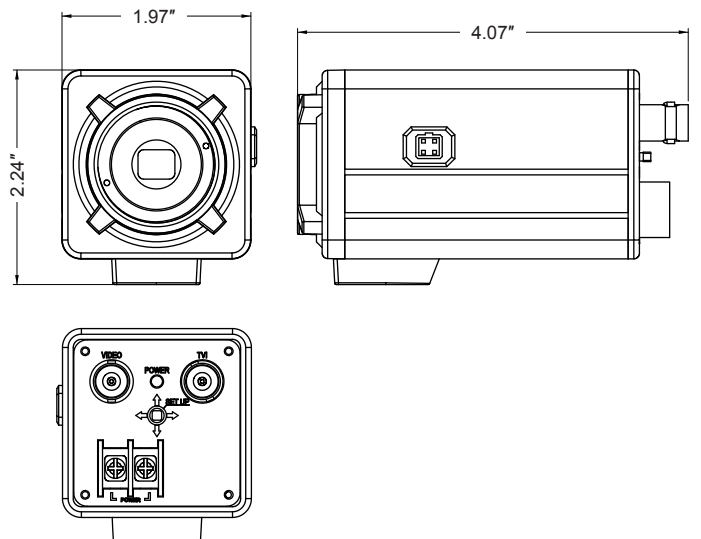
- 2 megapixel resolution (1080p)
- 1/2.8" Sony STARVIS CMOS image sensor
- Lens not included
- True day/night with IR cut filter
- Back Light Compensation (BLC)
- Digital Noise Reduction (DNR)
- Wide Dynamic Range (WDR)
- Up-the-coax control (UTC)
- 12VDC or 24VAC

CCT2U00 Specifications

Model	Lens	Resolution
CCT2U00	C/CS Mount Lens Not Included	2 Megapixel (1080p)

Power	
Source	12 VDC or 24 VAC
Consumption	120 mA @ 12 VDC, 80mA @ 24 VAC
Sensor	
Image Sensor	1/2.8" HD CMOS
Scanning Mode	Progressive Scan
Resolution	1920 x 1080
Frame Rate	Up to 30 fps
Minimum Illumination	0.4 Lux (AGC MAX, SENS-UP OFF, F2.0) (Color) 0.01 Lux (AGC MAX, SENS-UP OFF, F2.0) (B/W)
Dynamic Range	120 dB (True WDR)
Shutter Speed	Auto / Flicker / Manual: 1/30 ~ 1/13,000 sec
S/N Ratio	More than 50 dB
Video Features	
Video Output	1.0Vp-p, 75Ω Composite 1.0Vp-p, 75Ω TVI
Camera Functions	
Auto Gain Control	Yes
Auto White Balance	Yes
Back Light Compensation	Yes
Day / Night	Yes; IR Cut Filter
Digital Noise Reduction	Yes
Defog	Yes
Motion Detection	Yes; 4 Zones
Mirror	Yes
Flip	Yes
Privacy Masking	Box: 16 Zones; Polygon: 8 Zones

General Information	
Approvals	FCC
Operating Temperature	14°F ~ +122°F (-10°C ~ +50°C) 20% ~ 80%
Storage Temperature	-4°F ~ +140°F (-20°C ~ +60°C) 20% ~ 95% RH
Dimensions (W x H x L)	1.97" x 2.24" x 4.07" (50 mm x 56.8 mm x 103.4 mm)
Weight	0.53 lbs (0.24 kg)
Dimensions (in)	



COSTAR
VIDEO SYSTEMS

101 Wrangler, Suite 201 • Coppel, Texas 75019 • Phone: 469-635-6800 • Fax: 469-635-6822 • Toll Free: 1-888-694-STAR (7827)

www.costarvideo.com

Specifications and design are subject to change without notice. Conversions: 1" = 25.4mm. Measurement conversions are approximate.

Rev. 10/13/21
v1