

# StarNET PRO Analytic Server

64 Channel Deep Learning Artificial Intelligence Powered Video Analytic Processing Server



Increase the ROI of a StarNET PRO NVR Server by adding the StarNET PRO Analytics Server. The StarNET PRO Analytics Server uses powerful artificial intelligence (AI) analytics, powered by deep learning, to process incoming video on up to 64 streams, creating metadata in the process. The metadata is then added to the recorded video for easy retrieval.

Several analytics are available. Object detection classifies objects as either humans, cars, or motorcycles/bicycles with colorful box identifiers in live mode or optional on-screen pop-up notifications. Intrusion, loitering, and line crossing detection analytics can be setup to watch areas and alert or trigger event alarms on access violations. Basic analytics such as motion detection and tampering are also available.

Forensic searching is significantly enhanced by adding the StarNET PRO Analytics Server. Using the metadata generated, searching for objects is simple and quick. Just enter the search terms, such as color and object type, and the video with matching metadata is retrieved without the need to scrub through hours of video. With the Person Match feature, a human can be tracked on one, or across multiple cameras with a few easy clicks generating a comprehensive list of their activity.



**Deep Learning  
Video Analytics**



**Powerful  
Metadata Search**



**Person Match  
Across Cameras**



**Object Detection  
(Human/Car/Bike)**



**Intrusion  
Detection**



**Loitering  
Detection**



**Line Crossing  
Detection**

## Live Monitoring View

- Classify Humans / Cars / Bike with colorful box identifiers in live mode or optional on-screen pop-up notifications
- Intrusion and line crossing detection (set zones or trip wire)
- Loitering detection (set number of humans and dwell time)
- Send alerts such as emails, trigger event alarms, and more...

## Play Back Search

- Person Match tracks a person across one more cameras generating a comprehensive view of an individual's whereabouts
- Easily filter large amounts of video with detailed metadata searches using object classification and color.

## Analytic Server Specifications

| Model                   |                                     | CSP-10SVRA   |
|-------------------------|-------------------------------------|--|
| Deep Learning Analytics | Max Channels Supported              | 64   |
|                         | Standard Sampling Resolution & Rate | 640 x 360 at 5ips  |
|                         | Processing Unit                     | NVIDIA RTX2060 Super 8GB   |
|                         | Events                              | Loitering, Intrusion   |
|                         | Detection Objects                   | Human, Vehicle, Bike (Bicycle/Motorcycle)                        |
|                         | Detection Color                     | Black, White, Gray, Red, Yellow, Green, Blue, Magenta, and Brown |
| Connections             | Audio Inputs/Outputs                | 1 x 3.5mm AUX Input / 1 x 3.5mm AUX Output                       |
|                         | Video Outputs                       | 1 x HDMI / 1 x DisplayPort / 1 x VGA                             |
|                         | Maximum Display Resolution          | 4K (HDMI and DisplayPort) / 1080p (VGA)                          |
|                         | Network                             | 2 x Gigabit RJ-45 Ethernet Port                                  |
|                         | Storage                             | 1 x Internal SATA III (6.0 Gb/s) Port / 1 x eSATA Port           |
|                         | Serial                              | 1 x RS232 (DB9 Terminal Block)                                   |
|                         | USB Ports                           | <b>Front:</b> 2 x USB 2.0 <b>Rear:</b> 2 x USB 2.0 / 2 x USB 3.0 |
| Software                | Operating System                    | Microsoft® Windows® Embedded Standard 8                          |
| Compatibility           | StarNET PRO NVR Servers             | CSP-10SVR64 and CSP-10SVR256 Series NVR Servers                  |

### General

|            |                    |
|------------|--------------------|
| Processor  | Intel Core i7-7700 |
| Memory     | 8GB                |
| Rack Mount | 4U Rack Mountable  |
| Warranty   | 3 Years            |

### Electrical

|               |                               |
|---------------|-------------------------------|
| Input Voltage | 100-240VAC, 50/60Hz, 5.5-2.5A |
| Consumption   | 350W                          |

### Environmental

|                       |                            |
|-----------------------|----------------------------|
| Operating Temperature | 32°F (0°C) to 104°F (40°C) |
| Humidity              | 0% to 90% (non-condensing) |

### Compliance

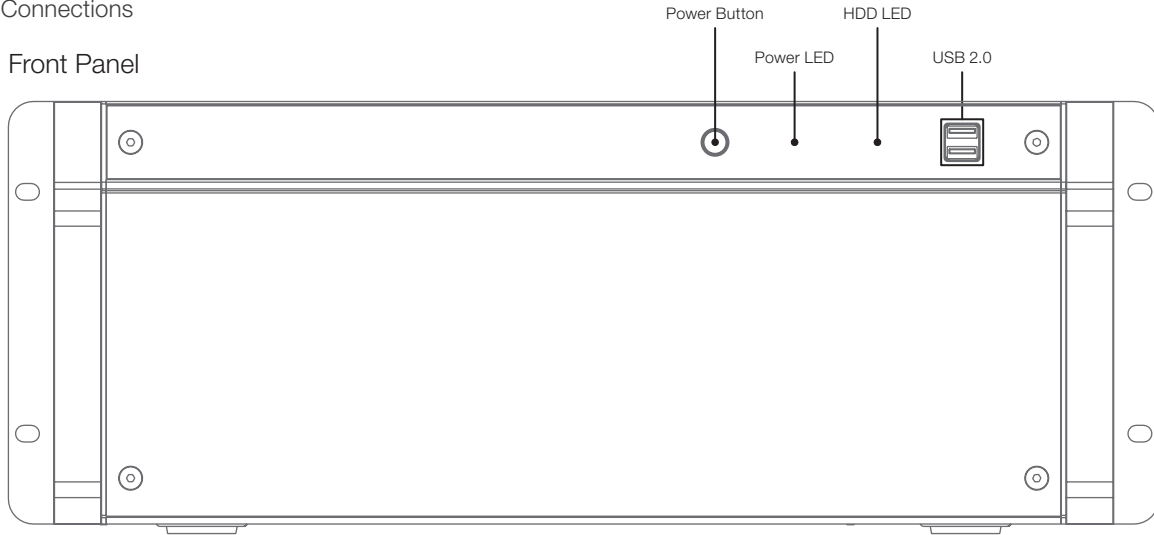
|           |                     |
|-----------|---------------------|
| Approvals | FCC, CE, CB, UL, KC |
|-----------|---------------------|

### Mechanical

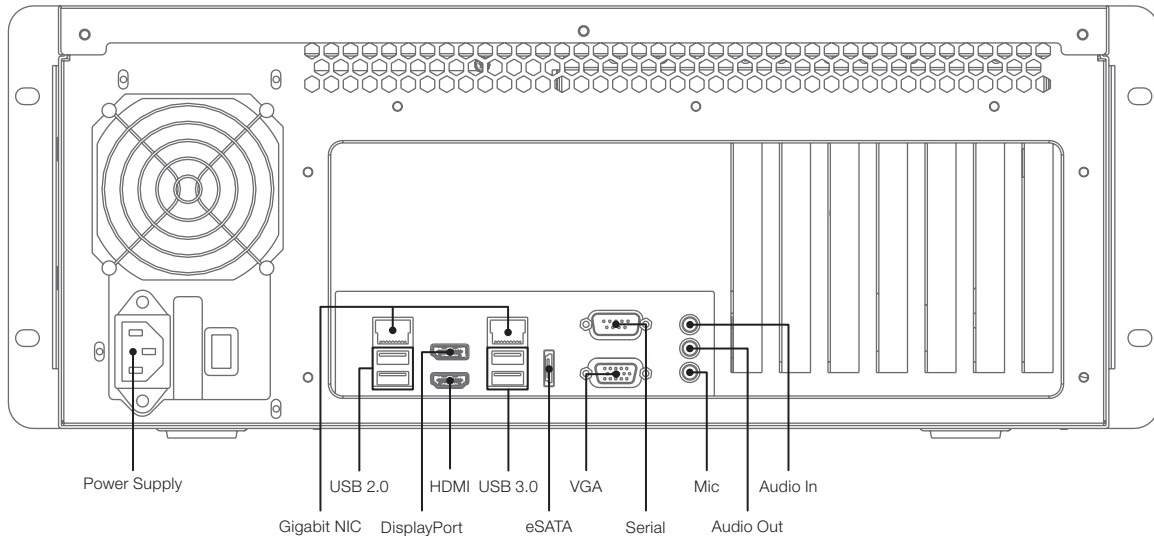
|                                       |          |   |
|---------------------------------------|----------|---|
| Dimensions<br><i>(See Dimensions)</i> | Unit     | 17.3" W (440mm) x 7" H (177mm) x 18.2" L (18.2mm)   |
|                                       | Packaged | 23.2" W (590mm) x 13.7" H (350mm) x 27.6" L (700mm) |
| Weight                                | Unit     | 30.9lbs (14kg)                                      |

## Controls and Connections

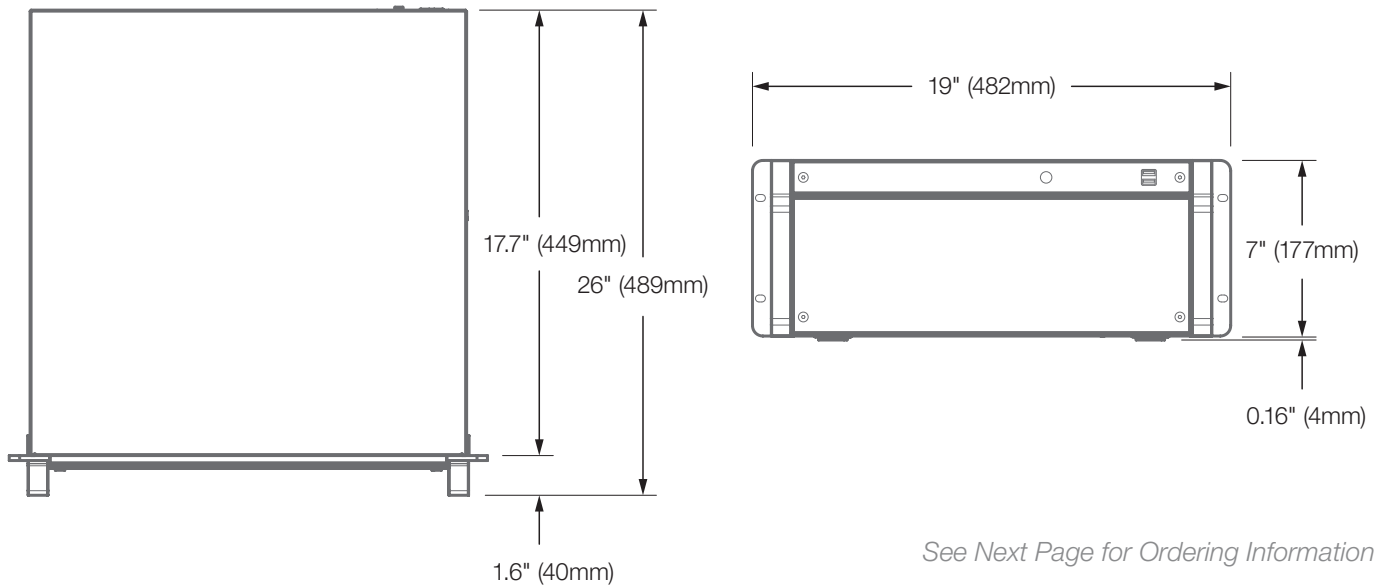
Front Panel



Rear Panel



## Dimensions



See Next Page for Ordering Information



## Model Numbers

| Analytic Server | CSP-10SVRA |
|-----------------|------------|
|-----------------|------------|

## Software and Service Licenses

| Part Number                                | Description                             |
|--|---|
| <b>StarNET Pro Video Management System</b> |   |
| StarNET PRO Analytic Licenses              |   |
| <b>CSP-10A</b>                             | CSP Standard 1 Channel Analytic License |

Create Your Model (Example: **CSP-10SVRA**)

Analytic Server

