

5MP Box Camera

5 Megapixel (MP) H.265/H.264 All-in-One Fixed Lens True Day/Night Indoor Box-Style IP Camera with True Wide Dynamic Range (T-WDR), Digital Noise Reduction (DNR), and Backlight Compensation (BLC)



Lens Sold Separately

The CCI5D00 DirectNET Box camera provides high quality video at 5 megapixel resolution. The CCI5D00 is compatible with C/CS mount lenses with support for P-iris, DC auto iris, and Manual Iris. The advanced H.265 codec allows for smaller recording file sizes and lower transmission bandwidth on your network.

Costar's DirectNET cameras have true plug-and-play capability with the StarNET XDi 20 and 25 Series, StarNET PRO recorders, and are compatible with

StarNET Video Management Software (VMS). StarNET is the remote access software that allows users to remotely view live and recorded video. StarNET incorporates features such as advanced event notification, map monitoring, system status monitoring and many more. Costar's DirectNET cameras are ONVIF supported. ONVIF is an industry standard that ensures interoperability between IP-based security products regardless of brand.



Multiple Lens and Housing Options



P-Iris Control for Best Depth of Field and Image Clarity



120dB True Wide Dynamic Range



True Day/Night with IR Cut Filter



Quadruple Streams



Tri-Encoder H.265/H.264/MJPEG



512GB Max Capacity MicroSDXC Card Slot



Audio Input and Output with Integrated Microphone

Series Features

- 5MP (2592 x 1944) Resolution
- 1/2.8" CMOS Progressive Scan image sensor
- Compatible with C/CS mount lenses with P-iris / DC Auto Iris / Manual Iris
- True day / night with IR cut filter
- DirectNET protocol
- MicroSDXC memory card supported
- Back Light Compensation (BLC)
- Digital Noise Reduction (DNR)
- True Wide Dynamic Range (T-WDR)
- Multiple compression (H.265, H.264, MJPEG)
- Two-way audio with integrated microphone
- Power over Ethernet (PoE) or 12VDC
- NDAA Compliant

Camera Imaging Specifications

Model	CCI5D00	
Image Sensor	Sony IMX335 CMOS Progressive Sensor	
Optical Format	1/2.8"	
Minimum Illumination	Color (Day Mode)	0.15 Lux @ F1.6
	B/W (Night Mode)	0.015 Lux @ F1.6
Full FOV Resolution	2592 H x 1944 V	
Scaling (See Scaling Resolutions Below)	Yes	
Dynamic Range	120dB (True WDR)	
Frame Rates*	Single Stream	Up to 30fps (5MP)
Lens (Sold separately)	Compatible with C/CS mount lenses with P-iris / DC Auto Iris / Manual Iris	

Programmability

Optics	Remote focus, remote zoom, and iris control (when remote focus/zoom lens is used)
S/N Ratio	More than 45dB
Noise Reduction	3D Noise Reduction
Electronic Shutter Speed	Auto / Manual (1/30 ~ 1/10,000), Anti-Flicker, Slow Shutter (1/7.5, 1/15)
Privacy Masking	8 Zones
Mirroring	Horizontal / Vertical
Backlight Compensation	Off / On
Scaling	4:3: 2592x1944, 1920x1440, 1280x960x 640x480 16:9: 2592x1456, 1920x1080, 1280x720, 640x360
Wide Dynamic Range	120dB True WDR
Image Settings	Exposure, White Balance, Self-Adjusting Video Mode (Sharpness, Contrast, Colors, Brightness Control)
Intelligent Video	Video Motion Detection, Active Tampering Alarm, Trip Zone
On-Screen Display (OSD)	Date / Time / Custom Text

Data Transmission

Compression Type	H.265, H.264 (MP), Motion JPEG
Compression Level	Basic, Standard, High, Very High
Bit Rate Control	Constant Bitrate / Variable Bitrate
Recording Session Buffer (NLTSrec)	Yes (Up to 60MB)
Intelligent Codec	Supported
Motion Adaptive Transmission (MAT)	Off / On
Transmission Protocols	DirectNET 2.0 Protocol, IPv4, IPv6, RTP/RTSP/TCP, RTP/RTSP/HTTP/TCP, RTP/UDP RTSP/TCP, HTTP, HTTPS, FTP, SNTp, SMTP, FEN, mDNS, UPnP, SNMPv2
Security	SSL Encryption, Multi-user Authority, IEEE 802.1x, IP Filtering, HTTPS
Network Interface	10/100Base-T Ethernet network interface, RJ45
Multi-Streaming	Quadruple
Remote Access Client	DirectNET NVR Connection, StarNET Web, StarNET Mobile, StarNET PRO

Event Management

Event Trigger	Motion Detection, Alarm in, Audio detection, Tampering, Trip Zone
Notifications	Remote S/W, Email (with Image)

Compliance

IP Camera Protocols	DirectNET 2.0, ONVIF Profile S conformant
Approvals	FCC, CE, KC

Environmental

Operating Temperature	-14°F (-10°C) to + 122°F (50°C)
Humidity	0% to 90% RH
Boot-Up Temperature	32°F (0°C) to + 122°F (50°C)

General Electrical

Alarm Input/Output	2 TTL input / 2 TTL open collector output	
Serial	1 x RS-485	
Power	12VDC, PoE IEEE 802.3af (Class 2)	
Power Consumption	PoE	5.6W
	12VDC	6W

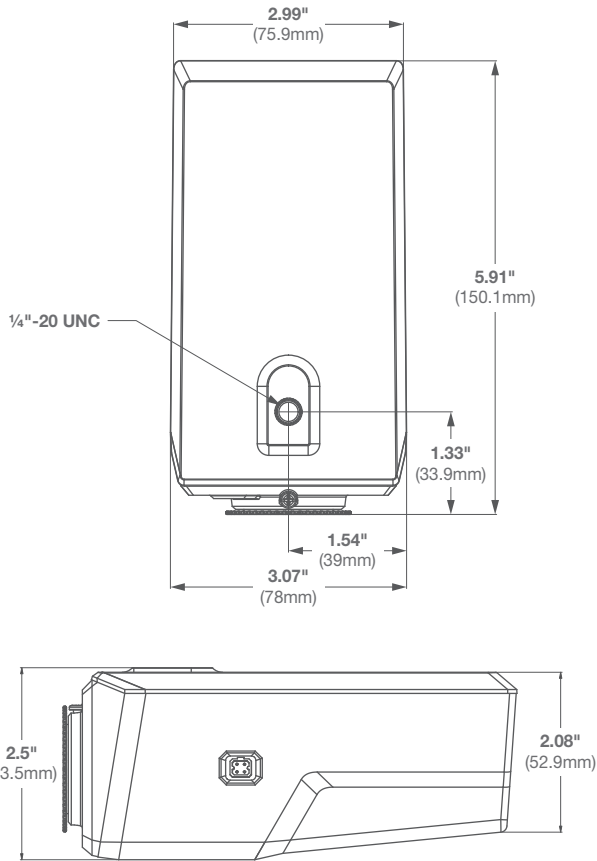
Audio Electrical

Streaming	Two-way
Compression	ADPCM 16K, G.726, G.711 μ-Law, G.711 a-Law
Input/Output	Built-in microphone + Line in / Line output

Mechanical

Mounting	1 x ¼"-20 UNC Top / 2 x ¼"-20 UNC Bottom	
Dimensions (See Dimensions)	Unit	2.5" H (63.5mm) x 3.07" W (78mm) x 5.91" D (150.1mm)
Weight	Unit	0.661lbs (0.3kg)
On Board Storage	MicroSDXC slot up to 512GB (card not included)	

Dimensions



Model Numbers

5MP	CCI5D00	WDR
------------	---------	-----

Accessories (Sold Separately)

CLS2812D2.7-5mp	2.8-12mm 5MP Lens
CLS5500D2.7-5mp	5-50mm 5MP Lens